

### FEATURES

- > Oil-less
- > Low vibration
- > Low sound level
- > Compact design
- > Lightweight

### TYPICAL APPLICATIONS

- > Patient monitoring
- > Anaesthetic control
- > Gas detection
- > Flue gas measurement
- > Pipetting

### BASE MODEL

3003 DC

3003 LC

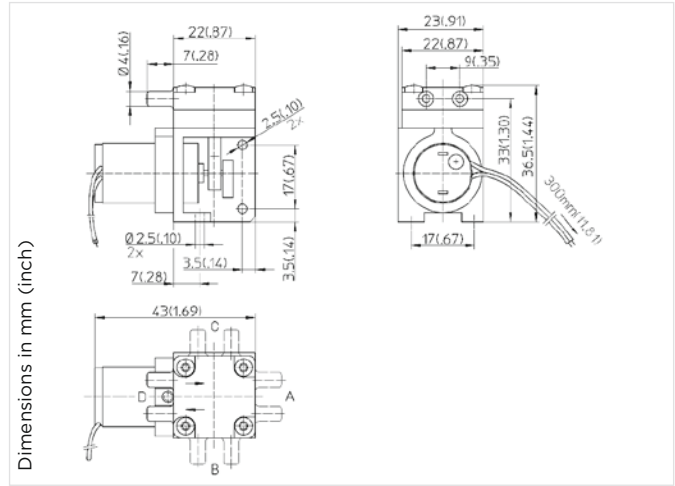
3003 BLDC



Diaphragm

# Diaphragm Pump 3003 VD DC

Flow	1000 ml/min
Max. pressure	650 mbar
Max. vacuum	38 %



## PNEUMATIC DATA

Description		3003VD/0.7/E/DC	3003VD/0.7/E/DC	3003VD/0.7/E/DC
Part number	4.5 V 6.0 V 12.0 V	30030506	30030511	<b>30030509</b>
Max. flow		850 ml/min	850 ml/min	1000 ml/min
Max. intermittent duty		650 mbar	650 mbar	650 mbar
Max. continuous pressure		200 mbar	200 mbar	200 mbar
Max. restart pressure		200 mbar	200 mbar	200 mbar
Max. vacuum		38 %	38 %	38 %
Max. restart vacuum		20 %	20 %	20 %

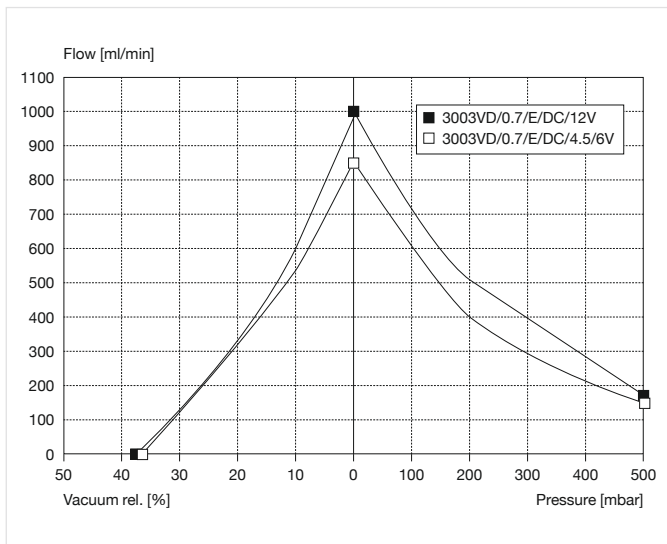
## ELECTRICAL DATA

Motor type	Ironless core DC	Ironless core DC	Ironless core DC
Power consumption	473 mW	480 mW	792 mW
Protection class	IPO0	IPO0	IPO0
Bearing type	Sleeve bearing	Ball bearing	Sleeve bearing

## GENERAL DATA

Ambient temperature	10 to 50 °C	10 to 50 °C	10 to 50 °C
Media temperature	10 to 50 °C	10 to 50 °C	10 to 50 °C
Weight	40 g	40 g	40 g
Port direction	D	D	D

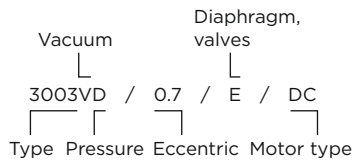
## FLOW CURVES



## WETTED PARTS

Pump head	PF	
Diaphragm plate	PA	
Diaphragm, valves	EPDM	FKM, Silicone
Diaphragm screw	SST	

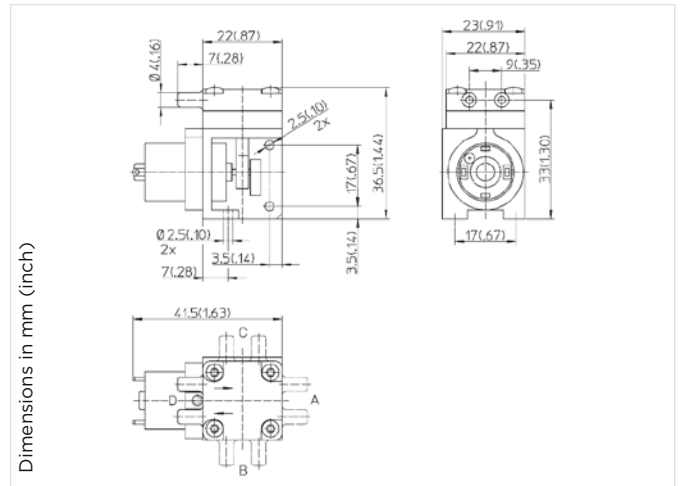
Model key:



**3003...** Stock programme

# Diaphragm Pump 3003 VD LC

Flow	950 ml/min
Max. pressure	850 mbar
Max. vacuum	48 %



## PNEUMATIC DATA

Description	3003VD/0.7/E/LC	3003VD/0.8/E/LC
Part number	3.5 V 4.5 V <b>30030507</b>	<b>30031505</b>
Max. flow	850 ml/min	950 ml/min
Max. intermittent duty	650 mbar	850 mbar
Max. continuous pressure	200 mbar	200 mbar
Max. restart pressure	200 mbar	200 mbar
Max. vacuum	38 %	48 %
Max. restart vacuum	20 %	20 %

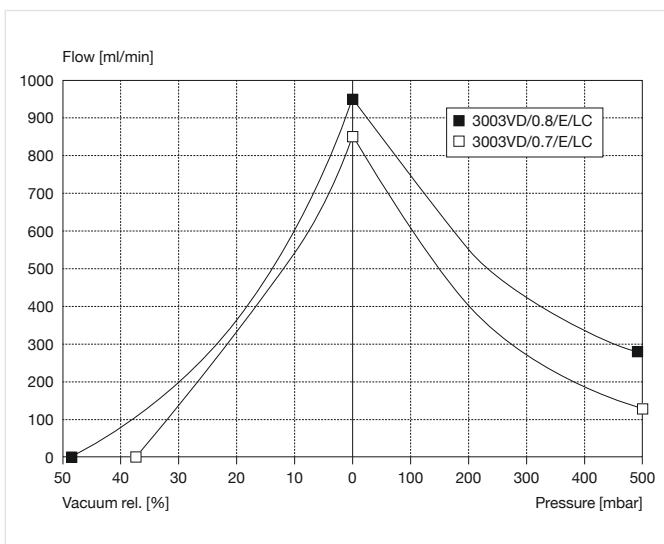
## ELECTRICAL DATA

Motor type	Permanent magnet	Permanent magnet
Power consumption	743 mW	875 mW
Protection class	IP00	IP00
Bearing type	Sleeve bearing	Sleeve bearing

## GENERAL DATA

Ambient temperature	10 to 50 °C	10 to 50 °C
Media temperature	10 to 50 °C	10 to 50 °C
Weight	35 g	35 g
Port direction	D	D

## FLOW CURVES

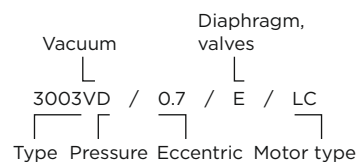


## WETTED PARTS

Pump head	PF	
Diaphragm plate	PA	
Diaphragm, valves	EPDM	FKM, Silicone
Diaphragm screw	SST	

## OPTIONS

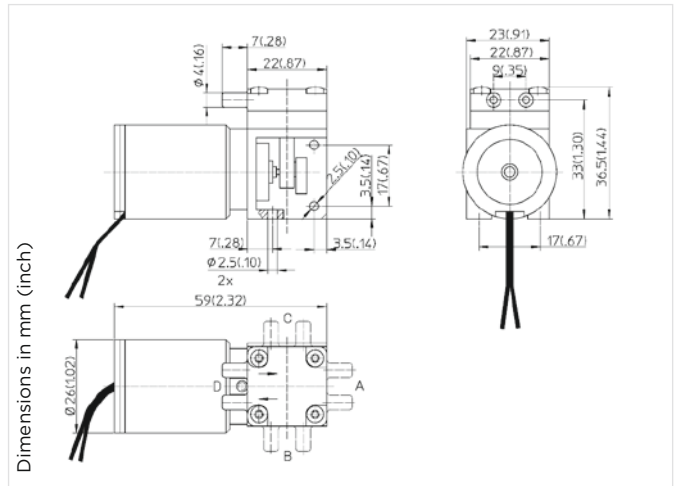
Model key:



**3003...** Stock programme

# Diaphragm Pump 3003 VD BLDC

<b>Flow</b>	<b>700 ml/min</b>
<b>Max. pressure</b>	<b>1000 mbar</b>
<b>Max. vacuum</b>	<b>48 %</b>



## PNEUMATIC DATA

Description	3003VD/0.9/E/BLDC	
Part number	6 V	30030512
Max. flow	700 ml/min	
Max. intermittent duty	1000 mbar	
Max. continuous pressure	300 mbar	
Max. restart pressure	700 mbar	
Max. vacuum	48 %	
Max. restart vacuum	48 %	

## ELECTRICAL DATA

Motor type	Brushless DC
Power consumption	1.08 W
Protection class (Motor)	IP00
Drive electronic	integrated
Bearing type	Ball bearing

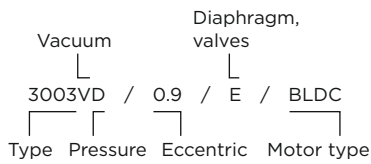
## GENERAL DATA

Ambient temperature	10 to 50 °C
Media temperature	10 to 50 °C
Weight	95 g
Port direction	D

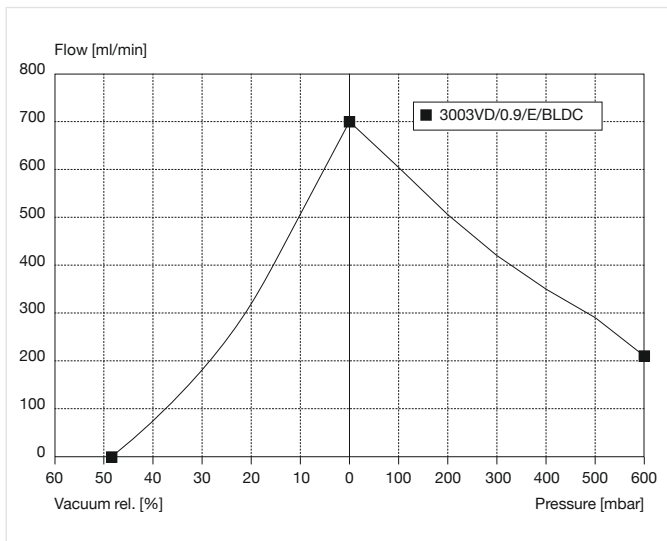
## WETTED PARTS

Pump head	PF	
Diaphragm plate	PA	
Diaphragm, valves	EPDM	FKM, Silicone
Diaphragm screw	SST	

Model key:



## FLOW CURVES





PUMP AND COMPRESSOR SOLUTIONS FOR OEMS WORLDWIDE

[gd-thomas.com](http://gd-thomas.com)



**Gardner Denver Thomas GmbH**  
Livry-Gargan-Str. 10  
82256 Fürstenfeldbruck  
Germany  
T +49 8141 2280 0  
F +49 8141 8892136  
[thomas.de@gardnerdenver.com](mailto:thomas.de@gardnerdenver.com)

**Gardner Denver Hong Kong, Limited**  
Unit 1317-1318 Delta House, 3 On Yiu Street  
Siu Lek Yuen, Shatin, New Territories  
Hong Kong  
T +852 26903502  
F +852 27924598  
[thomas.hk@gardnerdenver.com](mailto:thomas.hk@gardnerdenver.com)

**Gardner Denver Thomas, Inc.**  
1419 Illinois Avenue  
Sheboygan, WI 53081  
USA  
T +1 920 4574891  
F +1 920 4514276  
[td.usa@gardnerdenver.com](mailto:td.usa@gardnerdenver.com)

**THOMAS**  
by Gardner Denver

The information presented in this material is based on technical data and test results of nominal units. It is believed to be accurate and reliable and is offered as an aid to help in the selection of Thomas products. It is the responsibility of the user to determine the suitability of the product for the intended use and the user assumes all risk and liability in connection therewith. Thomas does not warrant, guarantee or assume any obligation or liability in connection with this information.

Models presented in this catalog are representative of the product family. Photos of products pictured in this catalog do not necessarily represent a specific model number. To obtain further information for custom options, contact your local Thomas office.

Printed in Germany Form No. 17003003 06/2016 © Gardner Denver Thomas GmbH. All rights reserved.