

FEATURES

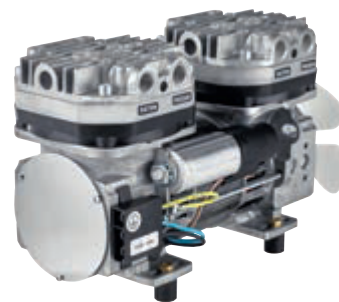
- > Oil-less
- > Maintenance free
- > Low sound level
- > Low vibration
- > High performance

TYPICAL APPLICATIONS

- > Autoclaves
- > Analysers
- > Vacuum ovens
- > Rotation evaporator
- > Degassing
- > Aspirators

BASE MODEL

8211 AC
8211Z AC



Diaphragm

Diaphragm Pump 8211V AC

Flow	34 l/min
Max. vacuum	92%



PNEUMATIC DATA

Description	8211V-35 AEE	
Part number	230 V/50 Hz	82110119
Max. flow	34.0 l/min	
Max. vacuum	92%	
Max. continuous vacuum	92%	
Max. restart vacuum	Ambient pressure	

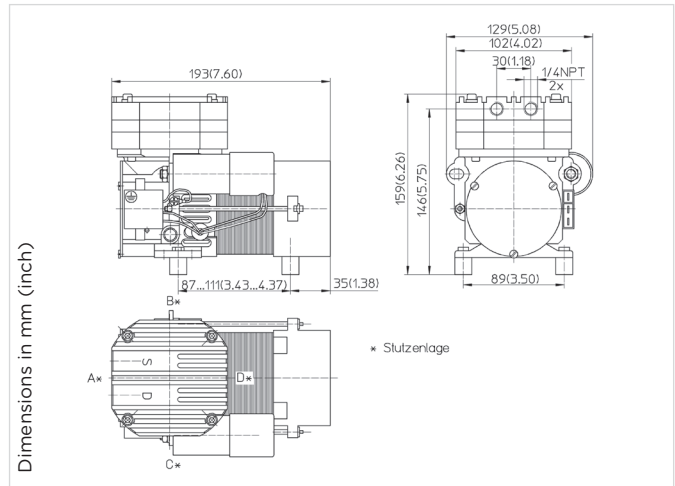
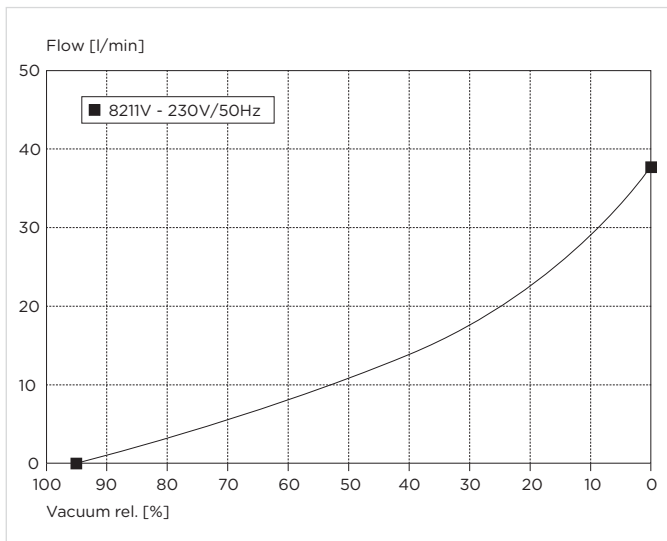
ELECTRICAL DATA

Motor type	Capacitor
Nominal voltage	230 V/50 Hz
Nominal speed	1500 rpm
Current consumption	0.4 to 0.5 A
Starting current	1.0 to 1.15 A
Power consumption	85 to 115 W
Protection class	IP00
Motor insulation class	F
Thermal switch	140 °C

GENERAL DATA

Ambient temperature	15 to 40 °C
Media temperature	10 to 60 °C
Weight	3.5 kg
Port direction	BC

FLOW CURVES



WETTED PARTS

Diaphragm	EPDM
Valves	EPDM
O-Ring	EPDM

OPTIONS

PTFE
FKM vapour resistant
FKM vapour resistant

CHOICE OF MATERIALS

Chamber + Head

8211... Stock programme

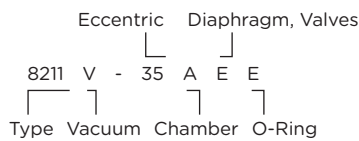
STANDARD

Aluminium

OPTION

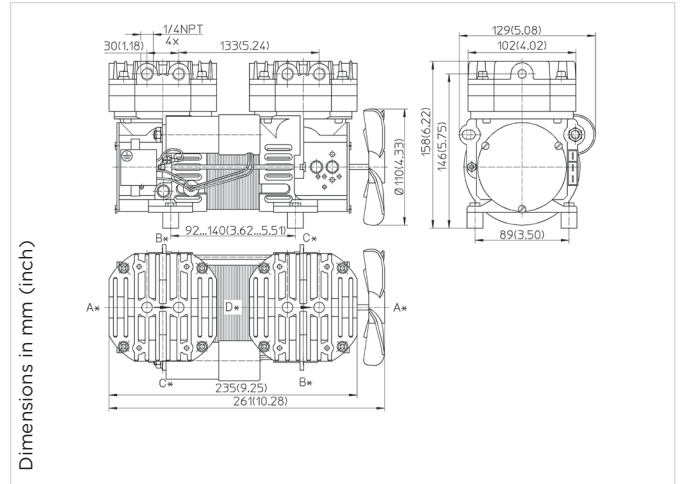
Aluminium hard coated

Model key:



Diaphragm Pump 8211ZVP AC

Flow	72.0 l/min
Max. vacuum	93%



PNEUMATIC DATA

Description	8211ZVP-35 AEE	8211ZVP-35 AEE
Part number	82110121	82110110
Max. flow	72.0 l/min	65.0 l/min
Max. vacuum	93%	93%
Max. continuous vacuum	93%	93%
Max. restart vacuum	Ambient pressure	Ambient pressure

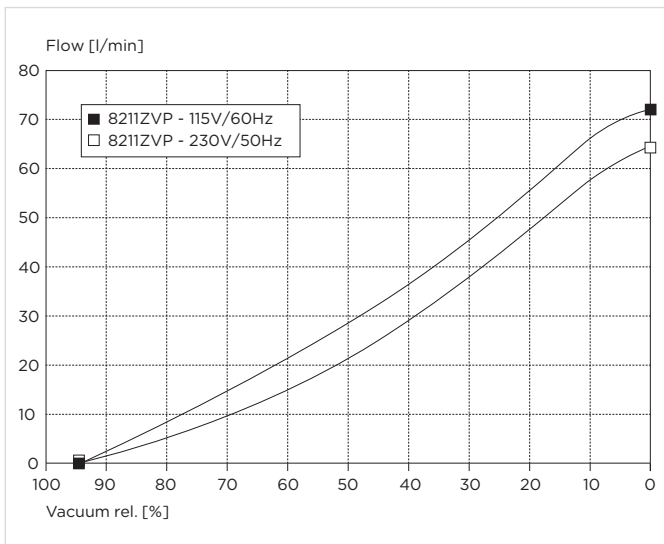
ELECTRICAL DATA

Motor type	Capacitor	Capacitor
Nominal voltage	115 V/60 Hz	230 V/50 Hz
Nominal speed	1500 rpm	1270 rpm
Current consumption	1.5 A	0.6 A
Starting current	3.3 A	1.4 A
Power consumption	90 W	95 W
Protection class	IP00	IP00
Motor insulation class	F	F
Thermal switch	140 °C	140 °C

GENERAL DATA

Ambient temperature	15 to 40 °C	15 to 40 °C
Media temperature	10 to 60 °C	10 to 60 °C
Weight	5.0 kg	5.0 kg
Port direction	BC	BC
Configuration	Parallel	Parallel

FLOW CURVES



WETTED PARTS

Diaphragm	EPDM
Valves	EPDM
O-Ring	EPDM

OPTIONS

PTFE
FKM vapour resistant
FKM vapour resistant

CHOICE OF MATERIALS

Chamber + Head

8211... Stock programme

STANDARD

Aluminium

OPTION

Aluminium hard coated

Model key:

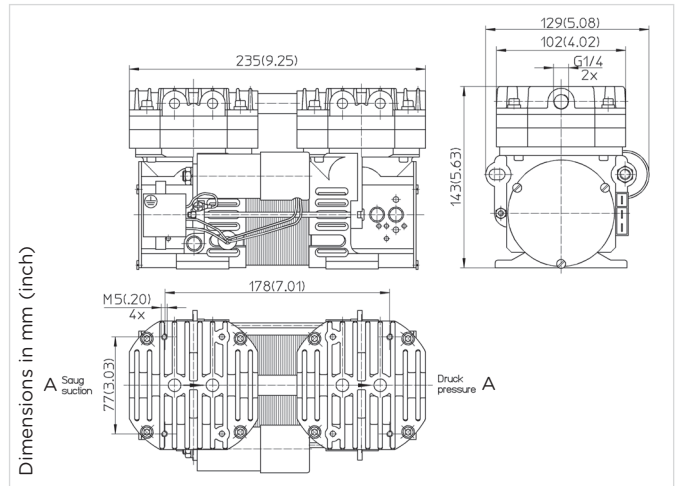
Type Vacuum Eccentric Diaphragm, Valves

8211 Z V P - 35 A E E

Double head Parallel Chamber O-Ring

Diaphragm Pump 8211ZVR AC

Flow	34.0 l/min
Max. vacuum	99%



PNEUMATIC DATA

Description	8211ZVR-35 AEE	8211ZVR-35 AEE
Part number	82119023	82110106
Max. flow	39.0 l/min	34.0 l/min
Max. vacuum	98%	99%
Max. continuous vacuum	98%	99%
Max. restart vacuum	Ambient	Ambient pressure

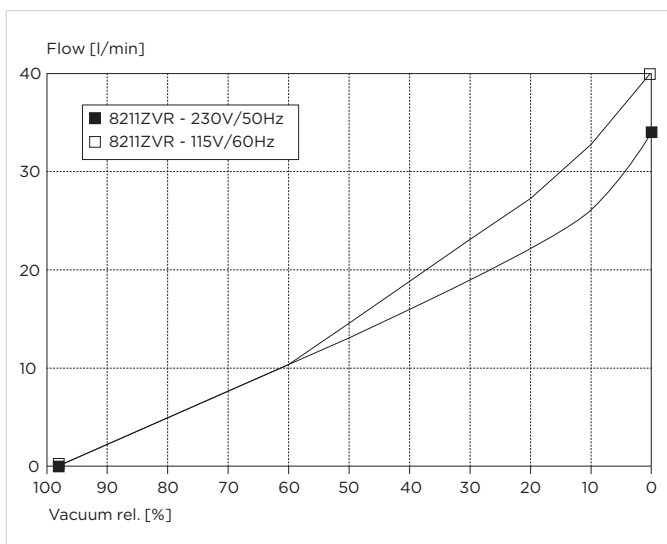
ELECTRICAL DATA

Motor type	Capacitor	Capacitor
Nominal voltage	115 V/60 Hz	230 V/50 Hz
Nominal speed	1700 rpm	1300 rpm
Current consumption	1.4 A	0.6 A
Starting current	2.2 A	1.4 A
Power consumption	160 W	95 W
Protection class	IP00	IP00
Motor insulation class	F	F
Thermal switch	150 °C	140 °C

GENERAL DATA

Ambient temperature	5 to 40 °C	15 to 40 °C
Media temperature	10 to 60 °C	10 to 60 °C
Weight	5.0 kg	5.0 kg
Port direction	AA	AA
Configuration	Series	Series

FLOW CURVES



WETTED PARTS

Diaphragm	EPDM
Valves	EPDM
O-Ring	EPDM

OPTIONS

PTFE
FKM vapour resistant
FKM vapour resistant

CHOICE OF MATERIALS

Chamber + Head

STANDARD

Aluminium

8211... Stock programme

OPTION

Aluminium hard coated

Model key:

Type Vacuum Eccentric Diaphragm, Valves

8211 Z V R - 35 A E E

Double Series Chamber O-Ring head

PUMP AND COMPRESSOR SOLUTIONS FOR OEMS WORLDWIDE

www.thomaspumps.com

The logo for THOMAS, featuring the word "THOMAS" in a bold, black, sans-serif font. Above the letter "A" is a red swoosh that extends to the right.



Gardner Denver Thomas GmbH

Livry-Gargan-Str. 10
82256 Fürstenfeldbruck
Germany

T +49 8141 2280 0
F +49 8141 8892136

thomas.de@gardnerdenver.com

Gardner Denver Thomas. Inc.

1419 Illinois Avenue
Sheboygan. WI 53081
USA

T +1 920 4574891
F +1 920 4514276

td.usa@gardnerdenver.com

Gardner Denver Thomas Pneumatic Systems (Wuxi) Co., Ltd.

No. 1 New Dong An Road, Shuofang Town, Wuxi, Xinwu District
Jiangsu 214142
China

T +86 400-012-1268
F +86 510 6878 2200

thomas.cn@irco.com

The information presented in this material is based on technical data and test results of nominal units. It is believed to be accurate and reliable and is offered as an aid to help in the selection of Thomas products. It is the responsibility of the user to determine the suitability of the product for the intended use and the user assumes all risk and liability in connection therewith. Thomas does not warrant, guarantee or assume any obligation or liability in connection with this information.

Models presented in this catalog are representative of the product family. Photos of products pictured in this catalog do not necessarily represent a specific model number. To obtain further information for custom options, contact your local Thomas office.

Printed in Germany Form No. 17000139 02/2021 © Gardner Denver Thomas GmbH. All rights reserved.