

## 260Z Series

### FEATURES

- > Unique head/cylinder design
- > Oil-less operation
- > Permanently lubricated bearings
- > Stainless steel valves
- > Pressure or Vacuum Capability
- > High performance piston seal
- > Die-cast aluminum components
- > Thin wall, hard coated aluminum cylinder
- > Wetted parts treated for corrosion resistance
- > Dynamically balanced
- > Designed and tested per Agency standards
- > Brushless DC motor
- > RoHS compliant

### TYPICAL APPLICATIONS

- > Portable Oxygen Concentrator
- > Small Analytical Equipment
- > Instrumentation
- > Ambient Scenting
- > Lab Automation

### CUSTOMER REQUIREMENTS

- > Supplemental cooling air flow to compressor to be integrated into thermal management system to ensure that proper installation and operating environment is maintained in keeping with the product specifications
- > BLDC motor requires separate motor controller (not included) - Optional ZB Series BLDC controller offers off-the-shelf integration, featuring variable speed PWM input signal for full speed range flexibility, and closed loop speed operation for consistent performance.

### BASE MODEL

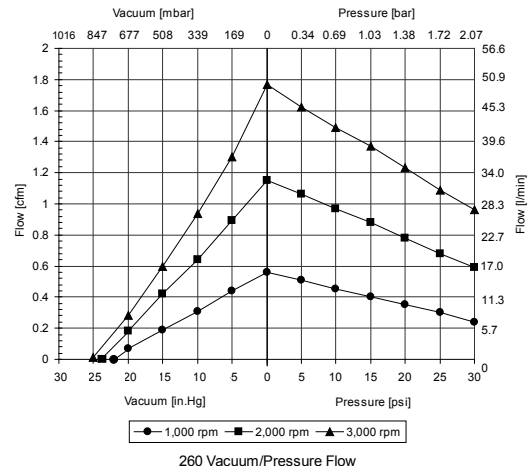
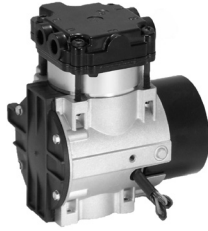
260ZC35/24



WOB-L

# 260Z Series

Flow	1.77 cfm (50.1 l/min)
Max. pressure	30 psi (2.1 bar)
Max. vacuum	87% local barometer



## PERFORMANCE DATA

Model Number	260ZC35/24		
Head Configuration	Pressure/Vacuum		
Stroke	0.35 in. (8.9 mm)		
Nominal voltage input	24V DC	24V DC	24V DC
Variable output speed	1,000 rpm	2,000 rpm	3,000 rpm
Max. open air flow	0.56 cfm (15.9 l/min)	1.15 cfm (32.6 l/min)	1.77 cfm (50.1 l/min)
Max. rated pressure	30 psi (2.1 bar)	30 psi (2.1 bar)	30 psi (2.1 bar)
Current at rated pressure	3.3A	4.8A	6.0A
Power at rated pressure	79W	115W	143W
Max. pressure restart	30 psi (2.1 bar)	30 psi (2.1 bar)	30 psi (2.1 bar)
Max. vacuum	23.8 in Hg (806 mbar)	24.7 in Hg (836 mbar)	25.5 in Hg (864 mbar)
Max. vacuum restart	23.8 in Hg (806 mbar)	24.7 in Hg (836 mbar)	25.5 in Hg (864 mbar)

## ELECTRICAL DATA

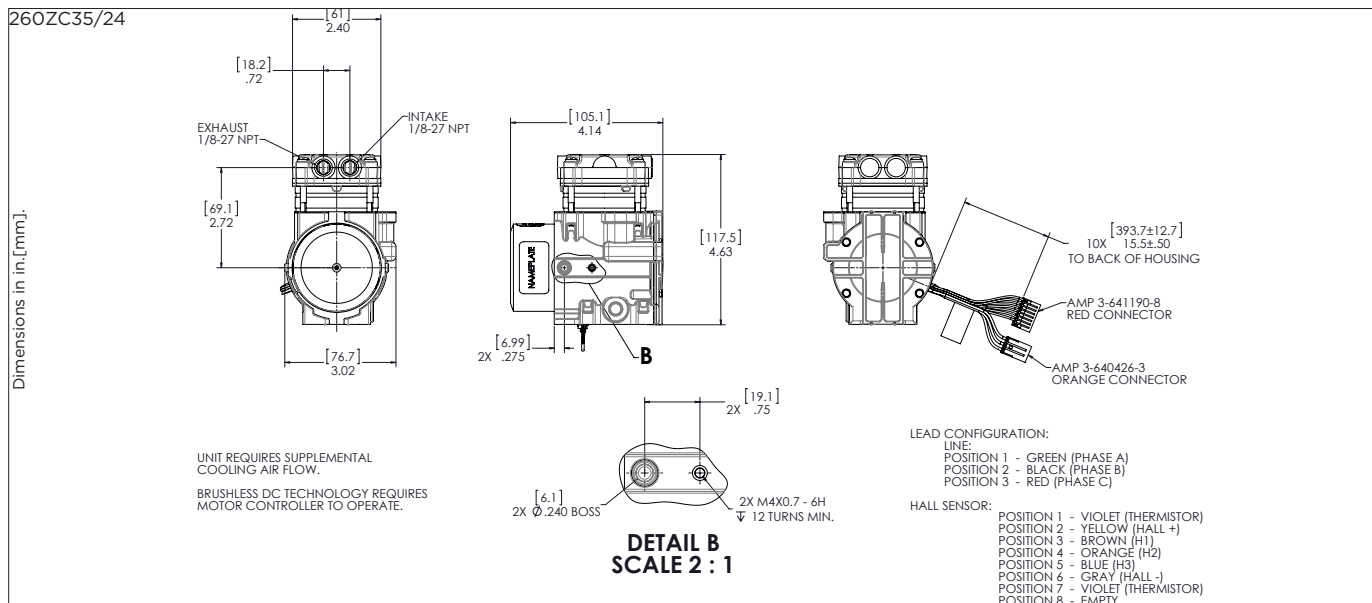
Motor Type	10 Pole BLDC
Motor Insulation class	F
Motor protection	No
	Optional Thomas ZB Series BLDC controller will provide stall protection
Power lead wire color, gauge	Green (phase A), black(phase B), red (phase C), 18 AWG
Hall sensor wire color, gauge	Yellow (Hall+), brown (HS1), orange (HS2), blue (HS3), gray (Hall -), 22 AWG
Thermistor wire color, gauge	Violet (Thermistor), 22 AWG

## GENERAL DATA

Operating ambient temperature	50° TO 104° F (10° to 40°C)*
Safety Certification	Consult factory
Net weight	2.78 lbs (1.26 kg)

\*Broader ambient operating ranges may be possible depending on your specific application. Please consult factory regarding your particular system needs.

## PRODUCT DIMENSIONS



PUMP AND COMPRESSOR SOLUTIONS FOR OEMS WORLDWIDE

[thomaspumps.com](http://thomaspumps.com)



**Gardner Denver Thomas GmbH**

Livry-Gargan-Str. 10  
82256 Fürstfeldbruck  
Germany  
T +49 8141 2280 0  
F +49 8141 8892136  
[thomas.de@irco.com](mailto:thomas.de@irco.com)

**Gardner Denver Thomas Pneumatic Systems (Wuxi) Co. Ltd.**

1 New Dong'an Road, Shuofang Town  
Xinwu District, Wuxi  
Jiangsu, 214142 China  
T +86 510 6878 2258  
F +86 510 6878 2200  
[thomas.cn@irco.com](mailto:thomas.cn@irco.com)

**Gardner Denver Thomas, Inc.**

1419 Illinois Avenue  
Sheboygan, WI 53081  
USA  
T +1 920 4574891  
F +1 920 4514276  
[td.usa@irco.com](mailto:td.usa@irco.com)

The information presented in this material is based on technical data and test results of nominal units. It is believed to be accurate and reliable and is offered as an aid to help in the selection of Thomas products. It is the responsibility of the user to determine the suitability of the product for the intended use and the user assumes all risk and liability in connection there with. Thomas does not warrant, guarantee or assume any obligation or liability in connection with this information.

Models presented in this catalog are representative of the product family. Photos of products pictured in this catalog do not necessarily represent a specific model number. To obtain further information for custom options, contact your local Thomas office.

Printed in U.S.A Form No. 850-3519 09/2024 ©Gardner Denver Thomas, Inc. All rights reserved.