

## 319 Series

### FEATURES

- > Black epoxy coated compressor exterior
- > Stainless steel inlet valve/FKM poppet exhaust valve
- > Epoxy coated steel mounting bracket w/vibration isolators
- > Wetted parts treated for corrosion resistance
- > Radiated emission suppression ECE-R10-03
- > Thermally protected motor
- > Available in 12V DC or 24V DC
- > Inlet filter/exhaust muffler
- > Configurable part options
- > RoHS/Reach compliant

Declaration documentation available upon request

### TYPICAL APPLICATIONS

- > Air Suspension
- > Plasma Cutter
- > Optical Equipment
- > Medical Devices

### BASE MODELS

3191250IRBLSCE

(12V DC)

3D191250IRSLSCCE

(12V DC)



319 Series



3D19 Series  
Dryer/solenoid equipped



WOB-L

# 319 Series

Flow	1.25 cfm (35.4 l/min)
Max. intermittent pressure	120 psi (8.3 bar)*
Max. vacuum	93% local barometer (-930 mbar)

\*Custom .56" (14.2 mm) stroke rated for 150 psi (10.3 bar)

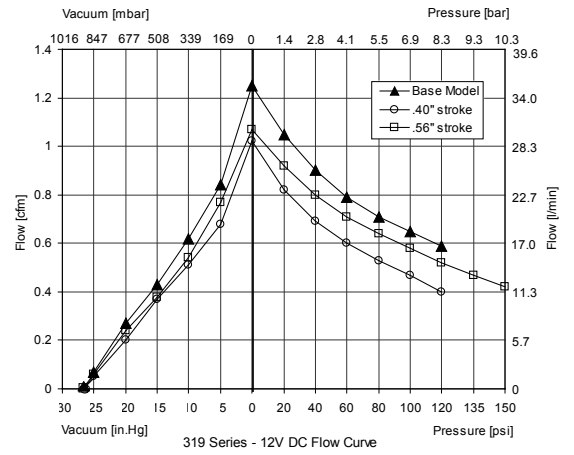


319

Available in  
12 or 24 volt DC



3D19



Consult factory for custom configured .40" and .56" stroke options

NOTE: All test values are nominal and for reference only. They are not guaranteed maximum or minimum limits, nor do they imply mean or median.

## PERFORMANCE DATA

Model Number	3191250IRBLSCE	[3192450IRBLSCE]	3D191250IRSLSCCE	[3D192450IRSLSCCE]
Head Configuration	Pressure/vacuum		Pressure/vacuum	
Stroke	0.50 in. (12.7 mm)		0.50 in. (12.7 mm)	
Nominal voltage input	12V DC	[Optional 24V DC]	12V DC	[Optional 24V DC]
Max. open air flow	1.25 cfm (35.4 l/min)		1.25 cfm (35.4 l/min)	
Max. rated intermittent pressure	120 psi (8.3 bar)		120 psi (8.3 bar)	
Current at rated pressure	19.4A	[8.9A]	19.7A	[9.0A]
Power at rated pressure	233W	[214W]	236W	[216W]
Speed at rated pressure	3173 rpm	[3035 rpm]	3261 rpm	[3123 rpm]
Maximum duty cycle	8.5 min. on / 20 min. off		8.5 min. on / 20 min. off	
Maximum pressure restart	120 psi (8.3 bar)		120 psi (8.3 bar)	
Maximum vacuum	93% local barometer		Not available	
Maximum vacuum restart	n/a		Not available	

## ELECTRICAL DATA

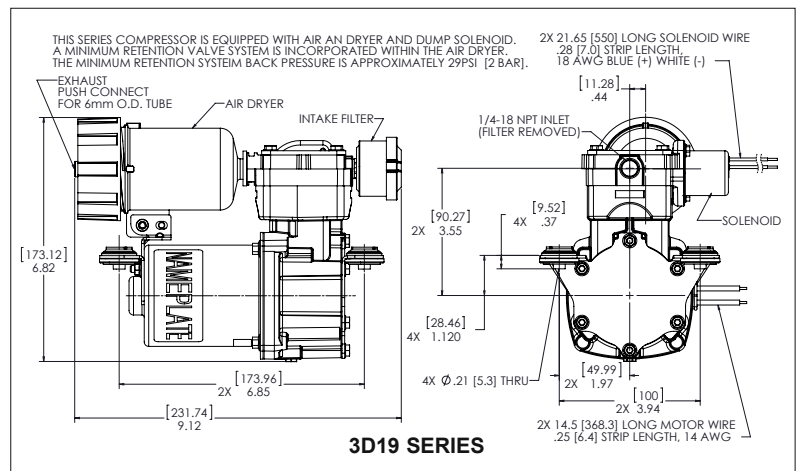
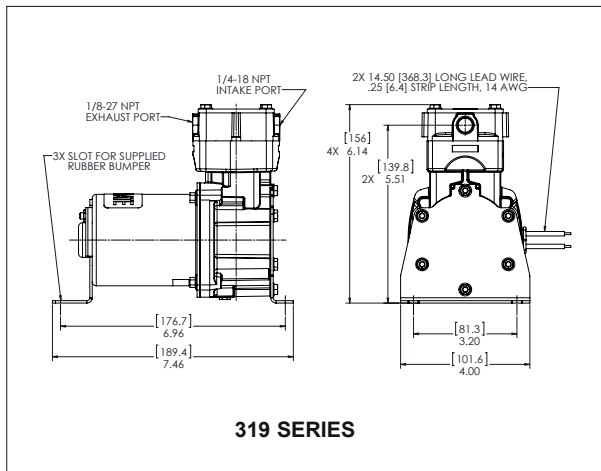
Motor type (Capacitance)	Permanent Magnet		Permanent Magnet	
Motor locked rotor current	134.0A	[69.0A]	134.0A	[69.0A]
Motor insulation class	B		B	
Thermal switch	Yes		Yes	
Motor lead wire color, gauge	Red/black, 14 AWG		Red/black, 14 AWG	
Solenoid wire color, gauge	n/a		Blue/white, 18 AWG	

## GENERAL DATA

Operating ambient air temperature	-40°F to 158°F (-40°C to 70°C)	-40°F to 158°F (-40°C to 70°C)
Safety certification	TUVE11	TUVE11
Net weight	5.1 lbs. (2.3 kg)	6.4 lbs. (2.9 kg)

## PRODUCT DIMENSIONS

Dimensions shown in inches [mm]



PUMP AND COMPRESSOR SOLUTIONS FOR OEMS WORLDWIDE

[thomaspumps.com](http://thomaspumps.com)



**Gardner Denver Thomas GmbH**

Livry-Gargan-Str. 10  
82256 Fürstenfeldbruck  
Germany  
T +49 8141 2280 0  
F +49 8141 8892136  
[thomas.de@irco.com](mailto:thomas.de@irco.com)

**Gardner Denver Thomas. Inc.**

1419 Illinois Avenue  
Sheboygan. WI 53081  
USA  
T +1 920 4574891  
F +1 920 4514276  
[td.usa@irco.com](mailto:td.usa@irco.com)

**Gardner Denver Thomas Pneumatic Systems (Wuxi) Co., Ltd.**

No. 1 New Dong An Road, Shuofang Town, Wuxi, Xinwu District  
Jiangsu 214142  
China  
T +86 510 6878 2258  
F +86 510 6878 2200  
[thomas.cn@irco.com](mailto:thomas.cn@irco.com)



The information presented in this material is based on technical data and test results of nominal units. It is believed to be accurate and reliable and is offered as an aid to help in the selection of Thomas products. It is the responsibility of the user to determine the suitability of the product for the intended use and the user assumes all risk and liability in connection therewith. Thomas does not warrant, guarantee or assume any obligation or liability in connection with this information.

Models presented in this catalog are representative of the product family. Photos of products pictured in this catalog do not necessarily represent a specific model number. To obtain further information for custom options, contact your local Thomas office.

Printed in Germany Form No. 850-4003 03/2025 © Gardner Denver Thomas GmbH. All rights reserved.